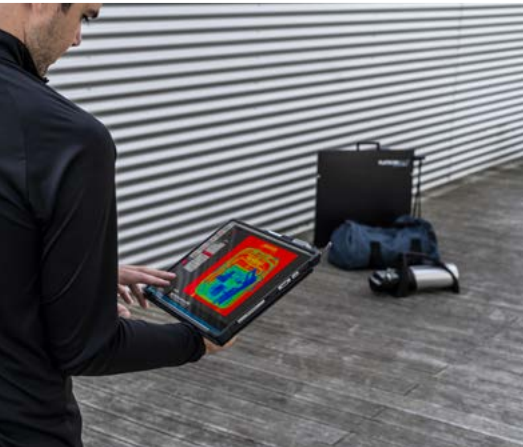




THE ULTIMATE X-RAY SOLUTION



C-VIEW SECURITY

Real-Time X-Ray Inspection



TELEDYNE ICM
Everywhereyoulook™

Part of the Teledyne Imaging Group

Real-time X-Ray Inspection



BATTERY OPERATED



CMOS TECHNOLOGY



WIRELESS OR CABLE



RUGGEDIZED



LIVE VIDEO



C-VIEWER APP

FEATURES

Unit

C-VIEW SECURITY

GENERAL

Technology	-	CMOS Active Pixel
Pixel pitch	µm	99
Active area	mm / in	102 x 153 / 4 x 6
Active resolution	pxl	1032 x 1548

BANDWIDTH

Data interface	-	Wi-Fi or Ethernet cable (optional)
Frame rate	fps	up to 30

POWER CONSUMPTION

Power supply	-	18V Dewalt battery
X-ray max power output	W	12
Battery performance	-	~2 (with 5 Ah battery)

INTEGRATION

Dimension detector head	mm / in	292x195x61.5 / 11.50x7.68x2.42
Overall dimension	mm / in	823x292x504 / 32.40x11.5x19.84
Weight	Kg / lbs	<6.5 / 14.3
Adjusting source - detector distance	mm / in	300 - 650 / 11.81 - 25.59

ENVIRONMENTAL

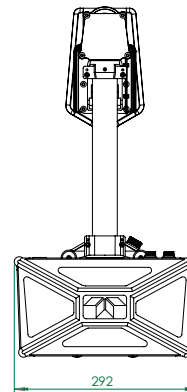
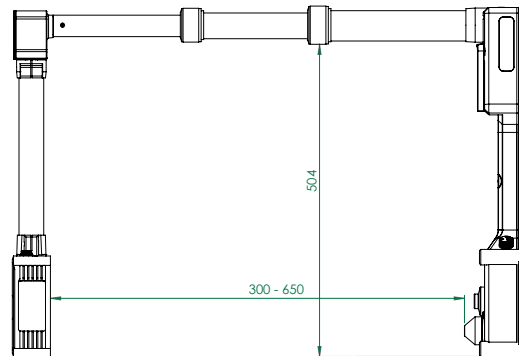
Operating temperature	°C / F°	-20, +50°C / -4, +122°F
Storage temperature	°C / F°	-30, +60°C / -22, +140°F
Humidity	% R.H.	20 - 80
IP Range	-	IP65 (excluding battery)
Software / app	-	Works with C-Viewer app, multiple simultaneous displays, video recording, snapshot, x-ray settings, ...

FACILITATE YOUR X-RAY INSPECTIONS

C-View Security is a live video x-ray image system specifically designed for hand-held inspections. This light weight and ruggedized system is battery operated for field operations.

The video imaging systems allows first responders to have an instant view of the inside of a suspicious item on an integrated display. Save precious time in critical situations with this high resolution imager

DRAWINGS



SAFETY WARNINGS. The Goods can cause death, personal injury or property damage if they are used, operated, maintained, stored or disposed of improperly. In particular, the Goods may emit x-ray radiation, so adequate safety precautions must be taken to minimize exposure. At a minimum, Buyer should adhere to the ALARA (as low as reasonably achievable) principle and should comply with all applicable regulations relating to protection against x-ray emissions.

All specifications are non contractual and subject to change without prior notice.

TELEDYNE ICM

Zoning Les Plenesses / Rue du Progrès 3 / B-4821 Andrimont (Dison) - Belgium
+32 (0)87 44 01 50 / icm.sales@teledyne.com



TELEDYNE ICM
Everywhereyoulook™

Part of the Teledyne Imaging Group